



UNVENTED CYLINDERS  
50 TO 500 LITRES



 **ARISTON**

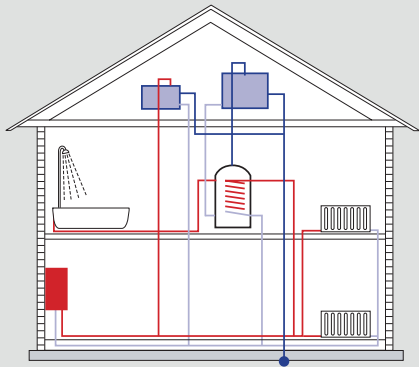
# Maximum hot water, minimum fuss



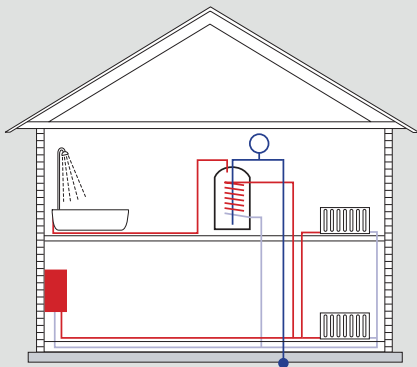
Being able to turn on any tap in the home and get hot and cold water at mains pressure is something that we would all love to have. With the highly innovative range of Ariston unvented cylinders - this is now a reality. Feeding all the home's taps directly from the incoming cold water main removes the need for a cold water storage tank in the loft, freeing up the space, eliminating the risk of freezing pipes and providing many other benefits.

Unvented systems have been widely used across the developed world for generations and, following changes to the water and building regulations over 20 years ago, have become increasingly popular here in the UK. Today, they account for approaching half of all new hot water storage systems and installations are growing at over 20% per year. To ensure that our products meet the changing needs of our customers we undertake continuous research into new technologies and design; as is demonstrated by the current range of Ariston unvented cylinders. These versatile water heaters are either wall mounted (50 litres - 100 litres) or floor standing (100 litres - 500 litres). They can be heated either directly by electricity or indirectly by an additional heat source e.g. gas or oil. The 100l - 210l floor standing cylinders, at just 505mm wide, are amongst the slimmest currently available. And, with all the connections accessible from the front, they can be readily fitted in the tightest of spaces. As part of our ongoing commitment to the environment, Ariston has developed a range of twin coil (solar compatible) cylinders - 200, 250 and 300 litres capacity.

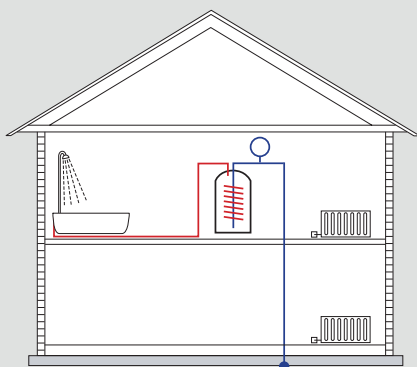
## 1 traditional open-vent system



## 2 unvented indirect & sealed heating systems



## 3 unvented direct system & electric space heating



## Advantages of an unvented system

- Hot and cold water supply to all outlets at mains pressure
- Drinking water at all cold water outlets, as water is supplied directly from the incoming mains water pipe
- Good shower flow and pressure without the need for pumps
- High performance, energy efficient and quiet operation
- Balanced hot and cold water supply giving wider choice of taps and fittings
- No storage tank in the loft freeing up potentially valuable loft space and removing the risk of:
  - Water stagnation
  - Frost damage to pipes
- Lower insurance premiums due to the absence of stored water in the loft
- Greater system design and flexibility
- Simpler plumbing system – less pipework, less time, less cost

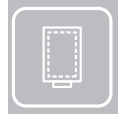
DIRECT: STD 125, 150, 210, 300

FLOOR STANDING DIRECT UNVENTED CYLINDERS

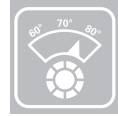
**5** FREE  
5 year  
guarantee



SLIM



ENAMELLED  
STEEL TANK



TEMPERATURE  
REGULATION



ENVIRONMENTALLY  
FRIENDLY  
INSULATION

- QUALITY STEEL TANK, 12 BAR PRESSURE TESTED AND EXCLUSIVE VITREOUS ENAMEL COATING (GLASS LINING)
- ENVIRONMENTALLY SOUND AND HIGHLY EFFICIENT THERMAL INSULATION
- COMPACT, SLIM DESIGN
- ALL PLUMBING AND ELECTRICAL CONNECTIONS WITHIN A 90° ANGLE
- MAGNESIUM ANODE TO PROTECT AGAINST CORROSION

- IMMERSION HEATERS SUPPLIED WITH REGULATION THERMOSTATS AND DUAL POLE THERMAL CUT-OUTS
- FACTORY FITTED 1/2" T&P RELIEF VALVE
- UNVENTED CONTROL KIT SUPPLIED WITH CYLINDER
- SIMPLE INSTALLATION
- 5 YEAR TANK GUARANTEE (2 YEAR GUARANTEE ON ELECTRICAL COMPONENTS)



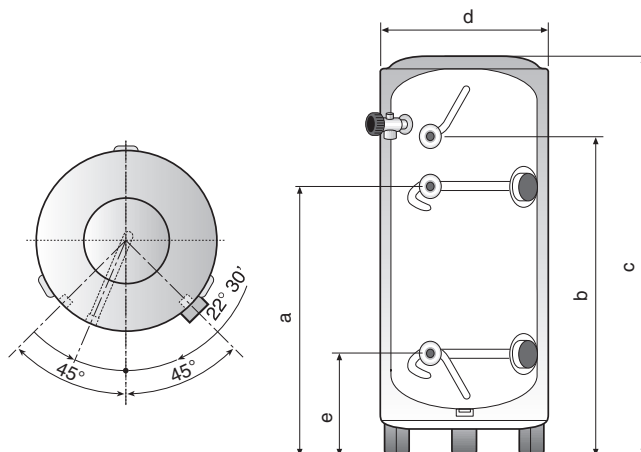
## Technical data - Overall dimensions

		STD 125	STD 150	STD 210	STD 300					
		STD 125	STD 150	STD 210	STD 300	STD 125	STD 150	STD 210	STD 300	
Nominal capacity	l	125	150	200	300	a mm	650	790	940	1215
Weight empty	kg	33	40	45	85	b mm	747	915	1230	1555
Weight full	kg	161	194	249	384	c mm	1015	1165	1495	1795
Voltage	V	240	240	240	240	d mm	505	505	505	560
Power	kW	3+3	3+3	3+3	3+3	e mm	265	265	265	275
Reheat time* (ΔT= 45°C)	min.	131	171	229	339					
Reheat time** (ΔT= 45°C)	min.	99	130	184	255					
Max. Working Temp.	°C	70	70	770	70					
Typical application***		D	E	F	G					

\* Based on single heating element 100% capacity  
\*\* Based on single heating element 70% capacity

**\*\*\*Typical application**

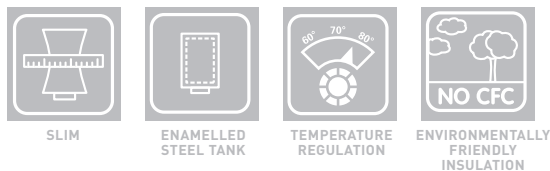
- D: domestic usage <3 people (kitchen, shower)
- E: domestic usage 3/4 people (kitchen, bathroom + shower)
- F: domestic usage 4/5 people (kitchen, 2 bathrooms)
- G: domestic usage 5 people (kitchen, 2 bathrooms + shower)



## INDIRECT: STI 125, 150, 210, 300

## FLOOR STANDING INDIRECT UNVENTED CYLINDERS

**5** FREE  
5 year  
guarantee



- QUALITY STEEL TANK, 12 BAR PRESSURE TESTED AND EXCLUSIVE VITREOUS ENAMEL COATING (GLASS LINING)
- ENVIRONMENTALLY SOUND AND HIGHLY EFFICIENT THERMAL INSULATION
- COMPACT, SLIM DESIGN
- ALL PLUMBING AND ELECTRICAL CONNECTIONS WITHIN A 90° ANGLE
- MAGNESIUM ANODE TO PROTECT AGAINST CORROSION
- IMMERSION HEATER SUPPLIED WITH REGULATION THERMOSTAT AND DUAL POLE THERMAL CUT-OUT
- CYLINDER THERMOSTAT WITH EXTERNAL REGULATION
- UNIQUE COIL DESIGN ALLOWS FULL QUANTITY OF WATER TO BE HEATED
- FACTORY FITTED 1/2" T&P RELIEF VALVE
- UNVENTED CONTROL KIT SUPPLIED WITH CYLINDER
- SIMPLE INSTALLATION
- 5 YEAR TANK GUARANTEE (2 YEAR GUARANTEE ON ELECTRICAL COMPONENTS)



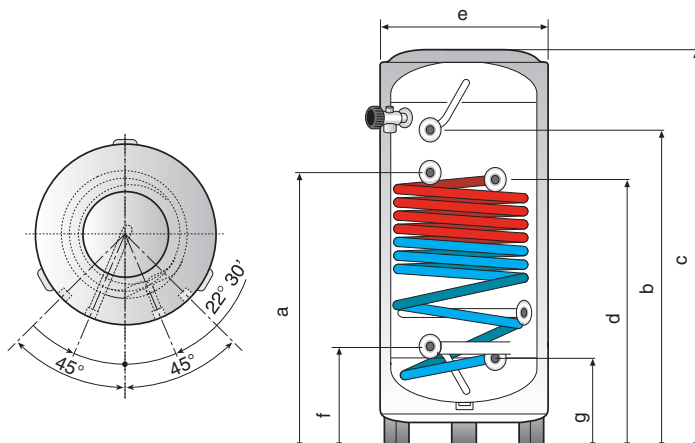
### Technical data - Overall dimensions

		STI 125	STI 150	STI 210	STI 300		STI 125	STI 150	STI 210	STI 300
Nominal capacity	l	125	150	200	300	a mm	650	790	940	1215
Weight empty	kg	41	51	56	95	b mm	755	915	1230	1555
Weight full	kg	164	200	254	391	c mm	1015	1165	1495	1795
Indirect coil rating	kW	21.6	18.2	23.6	21.2	d mm	625	765	765	795
Coil surface area	m <sup>2</sup>	0.67	0.78	0.89	0.89	e mm	505	505	505	560
Reheat time* (ΔT= 45°C)	min.	18	21	28	47	f mm	265	265	265	275
Reheat time** (ΔT= 45°C)	min.	16	19	25	38	g mm	225	225	225	25
Voltage	V	240	240	240	240					
Power	kW	3	3	3	3					
Immersion reheat (ΔT= 45°C)	min.	131	171	229	339					
Max. temperature.	°C	70	70	70	70					
Typical application***		E	F	G	H					

\* Heated to 100% capacity  
\*\* Heated to 70% capacity  
(Tests in accordance with BS EN 12897:2006)

\*\*\*Typical application  
• E: domestic usage 3/4 people (kitchen, shower)  
• F: domestic usage 4/5 people (kitchen, 2 bathrooms)

• G: domestic usage 5 people and above (kitchen, 2 bathrooms + shower)  
• H: above average household use





DIRECT: ITD 100, 125, 150, 175, 210, 250, 300

FLOOR STANDING DIRECT UNVENTED CYLINDERS

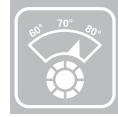
**25** FREE  
25 year  
guarantee



SLIM



STAINLESS  
STEEL TANK



TEMPERATURE  
REGULATION



ENVIRONMENTALLY  
FRIENDLY  
INSULATION



- QUALITY STAINLESS STEEL TANK, 12 BAR PRESSURE TESTED
- ENVIRONMENTALLY SOUND AND HIGHLY EFFICIENT THERMAL INSULATION
- COMPACT, SLIM DESIGN
- ALL PLUMBING AND ELECTRICAL CONNECTIONS WITHIN A 90° ANGLE
- EXCLUSIVE HIGH QUALITY 'ORANGE-PEEL' OUTER FINISH
- IMMERSION HEATERS SUPPLIED WITH REGULATION THERMOSTAT AND DUAL POLE THERMAL CUT-OUT

- FACTORY FITTED 1/2" T&P RELIEF VALVE
- UNVENTED CONTROL KIT SUPPLIED WITH CYLINDER
- SIMPLE INSTALLATION
- 25 YEAR TANK GUARANTEE (2 YEAR GUARANTEE ON ELECTRICAL COMPONENTS)

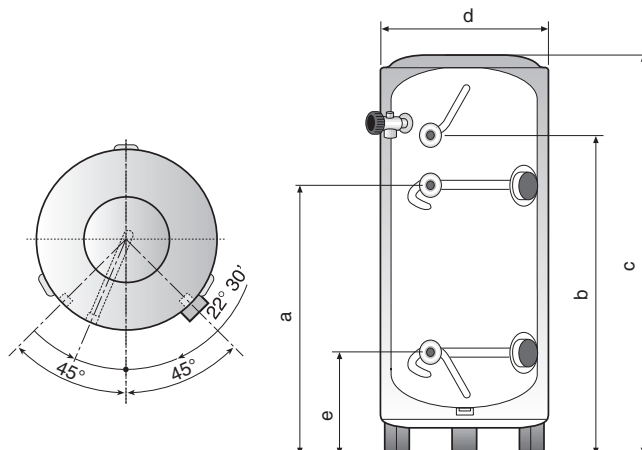
## Technical data - Overall dimensions

		ITD 100	ITD 125	ITD 150	ITD 175	ITD 210	ITD 250	ITD 300								
		ITD 100	ITD 125	ITD 150	ITD 175	ITD 210	ITD 250	ITD 300		ITD 100	ITD 125	ITD 150	ITD 175	ITD 210	ITD 250	ITD 300
Nominal capacity	l	100	125	150	175	200	250	300	a mm	492	650	790	869	940	990	1210
Weight empty	kg	19	27	29	31	35	40	45	b mm	589	747	905	1063	1220	1316	1550
Weight full	kg	122	156	183	208	239	297	344	c mm	845	1015	1165	1335	1495	1555	1795
Voltage	V	240	240	240	240	240	240	240	d mm	505	505	505	505	505	560	560
Power	kW	3+3	3+3	3+3	3+3	3+3	3+3	3+3	e mm	265	265	265	265	265	270	270
Reheat time* ( $\Delta T=45^{\circ}\text{C}$ )	min.	112	131	171	199	229	289	339								
Reheat time** ( $\Delta T=45^{\circ}\text{C}$ )	min.	65	99	130	156	184	228	255								
Max. Working Temp.	$^{\circ}\text{C}$	70	70	70	70	70	70	70								
Typical application***		D	D	E	E/F	F	F/G	G								

\* Based on single heating element 100% capacity  
\*\* Based on single heating element 70% capacity  
(Tests in accordance with BS EN 12897:2006)

\*\*\*Typical application  
• D: Domestic usage <3 people (kitchen/shower)  
• E: Domestic usage 3/4 people (kitchen, bathroom + shower)

• F: Domestic usage 4/5 people (kitchen, 2 bathrooms)  
• G: Domestic usage 5 people and above (kitchen, 2 bathrooms + shower)



INDIRECT: ITI 100, 125, 150, 175, 210, 250, 300

FLOOR STANDING INDIRECT UNVENTED CYLINDERS

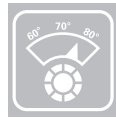
**25** FREE  
25 year  
guarantee



SLIM



STAINLESS  
STEEL TANK



TEMPERATURE  
REGULATION



ENVIRONMENTALLY  
FRIENDLY  
INSULATION

- QUALITY STAINLESS STEEL TANK, 12 BAR PRESSURE TESTED.
- ENVIRONMENTALLY SOUND AND HIGHLY EFFICIENT THERMAL INSULATION
- COMPACT, SLIM DESIGN
- ALL PLUMBING AND ELECTRICAL CONNECTIONS WITHIN A 90° ANGLE
- EXCLUSIVE HIGH QUALITY 'ORANGE-PEEL' OUTER FINISH
- IMMERSION HEATER SUPPLIED WITH REGULATION THERMOSTAT AND DUAL POLE THERMAL CUT-OUT

- CYLINDER THERMOSTAT WITH EXTERNAL REGULATION
- UNIQUE COIL DESIGN ALLOWS FULL QUANTITY OF WATER TO BE HEATED
- FACTORY FITTED 1/2" T&P RELIEF VALVE
- UNVENTED CONTROL KIT SUPPLIED WITH CYLINDER
- SIMPLE INSTALLATION
- 25 YEAR TANK GUARANTEE (2 YEAR GUARANTEE ON ELECTRICAL COMPONENTS)

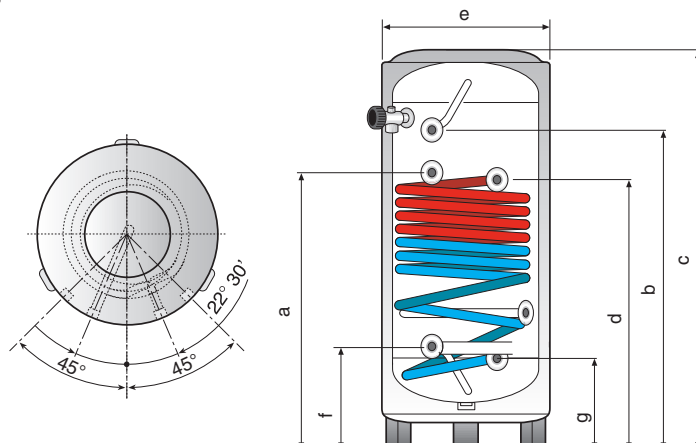
## Technical data - Overall dimensions

		ITI 100	ITI 125	ITI 150	ITI 175	ITI 210	ITI 250	ITI 300								
		ITI 100	ITI 125	ITI 150	ITI 175	ITI 210	ITI 250	ITI 300		ITI 100	ITI 125	ITI 150	ITI 175	ITI 210	ITI 250	ITI 300
Nominal capacity	l	100	125	150	175	200	250	300	a mm	492	650	790	869	940	990	1210
Weight empty	kg	22	32	31	36	40	46	52	b mm	589	755	905	1063	1220	1316	1550
Weight full	kg	123	155	180	211	238	297	348	c mm	845	1015	1165	1335	1495	1555	1795
Indirect coil rating	kW	13.2	21.6	18.2	18.2	23.6	23.1	21.2	d mm	555	625	765	765	765	795	795
Coil surface area	m <sup>2</sup>	0.5	0.67	0.78	0.78	0.89	0.89	0.89	e mm	505	505	505	505	505	560	560
Reheat time* (ΔT= 45°C)	min.	17	18	21	26	28	33	47	f mm	265	265	265	265	265	270	270
Reheat time** (ΔT= 45°C)	min.	15	16	19	23	25	32	38	g mm	225	225	225	225	225	255	255
Voltage	V	240	240	240	240	240	240	240								
Power	kW	3	3	3	3	3	3	3								
Immersion reheat †	min.	112	131	171	199	229	289	339								
Max. temperature.	°C	70	70	70	70	70	70	70								
Typical application***		D	E	F	F/G	G	G/H	H								

\* Heated to 100% capacity  
 \*\* Heated to 70% capacity  
 † Based on single heating element to 100% capacity  
 (Tests in accordance with BS EN 12897:2006)

\*\*\*Typical application  
 • D: Domestic usage <3 people (kitchen, shower)  
 • E: Domestic usage 3/4 people (kitchen, bathroom and shower)  
 • F: Domestic usage 4/5 people (kitchen, 2 bathrooms)

• G: Domestic usage 5 people and above (kitchen, 2 bathrooms and shower)  
 • H: Above average household use



# PRIMO TWIN



## INDIRECT TWIN COIL: ITSI 210, 250, 300

FLOOR STANDING SOLAR COMPATIBLE  
UNVENTED CYLINDERS

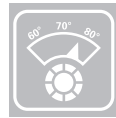
**25** FREE  
25 year  
guarantee



SLIM



STAINLESS  
STEEL TANK



TEMPERATURE  
REGULATION



ENVIRONMENTALLY  
FRIENDLY  
INSULATION

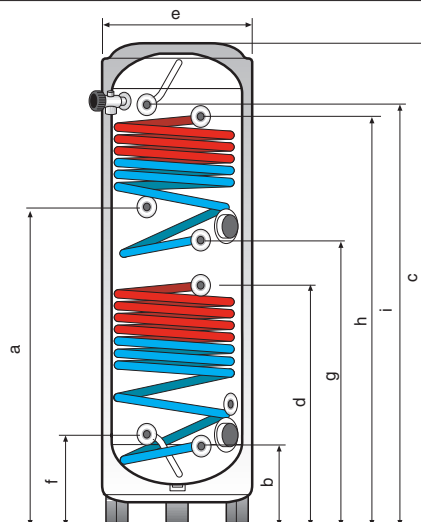
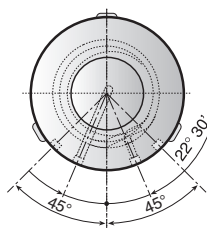
- QUALITY STAINLESS STEEL TANK, 12 BAR PRESSURE TESTED
- ENVIRONMENTALLY SOUND AND HIGHLY EFFICIENT THERMAL INSULATION
- ALL PLUMBING AND ELECTRICAL CONNECTIONS WITHIN A 90° ANGLE
- EXCLUSIVE HIGH QUALITY 'ORANGE-PEEL' OUTER FINISH
- TWIN INDIRECT COILS FOR DUAL HEAT SOURCE APPLICATIONS
- TWIN IMMERSION HEATERS SUPPLIED WITH REGULATION THERMOSTAT AND DUAL POLE THERMAL CUT-OUT

- CYLINDER THERMOSTATS WITH EXTERNAL REGULATION
- UNIQUE COIL DESIGN ALLOWS FULL QUANTITY OF WATER TO BE HEATED
- FACTORY FITTED 1/2" T&P RELIEF VALVE
- UNVENTED CONTROL KIT SUPPLIED WITH CYLINDER
- SIMPLE INSTALLATION
- 25 YEAR TANK GUARANTEE (2 YEAR GUARANTEE ON ELECTRICAL COMPONENTS)

### Technical data - Overall dimensions

		ITSI 210	ITSI 250	ITSI 300				
Nominal capacity	l	200	250	300	a mm	ITSI 210	ITSI 250	ITSI 300
Weight empty	kg	43	49	56	b mm	940	990	1215
Weight full	kg	238	297	349	c mm	225	255	255
Indirect coil rating (top)	kW	17.0	17.0	20.9	d mm	1495	1555	1795
Indirect coil rating (bottom)	kW	19.5	19.5	21.9	e mm	625	655	800
Coil surface area (top)	m <sup>2</sup>	0.67	0.67	0.67	f mm	505	560	560
Coil surface area (bottom)	m <sup>2</sup>	0.67	0.67	0.89	g mm	265	270	270
Indirect reheat time* (ΔT= 45°C)	min.	36	42	47	h mm	806	876	1110
Indirect reheat time** (ΔT= 45°C)	min.	30	34	37	i mm	1206	1276	1510
Voltage	V	240	240	240	j mm	1220	1316	1550
Power	kW	3+3	3+3	3+3				
Immersion reheat time*** (ΔT= 45°C)	min.	227	271	310				
Max. temperature.	°C	70	70	70				

\* Based on bottom coil only to 100% capacity [Tests in accordance with BS EN 12897:2006]  
 \*\* Based on bottom coil only to 70% capacity [Tests in accordance with BS EN 12897:2006]  
 \*\*\* Based on single heating element to 100% capacity [Tests in accordance with BS EN 12897:2006]





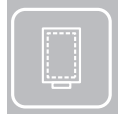
# HIGH CAPACITY



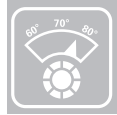
## DIRECT & INDIRECT: 500 STI/STD

### FLOOR STANDING UNVENTED CYLINDERS

**10** FREE  
10 year  
guarantee



ENAMELLED  
STEEL TANK



TEMPERATURE  
REGULATION



ENVIRONMENTALLY  
FRIENDLY  
INSULATION

- QUALITY STEEL TANK, 12 BAR PRESSURE TESTED AND EXCLUSIVE VITREOUS ENAMEL COATING
- ENVIRONMENTALLY SOUND AND HIGHLY EFFICIENT THERMAL INSULATION
- UNIQUE COIL DESIGN ALLOWS FULL QUANTITY OF WATER TO BE HEATED
- LARGE SURFACE AREA COIL FOR EXCEPTIONAL REHEAT TIMES
- PROTECH ANTI-CORROSION SYSTEM

- EXTERNAL REGULATION THERMOSTAT
- DUAL POLE THERMAL CUT-OUT
- FACTORY FITTED 1/2" T&P RELIEF VALVE
- UNVENTED CONTROL KIT SUPPLIED WITH CYLINDER
- SIMPLE INSTALLATION
- 10 YEAR TANK GUARANTEE (2 YEAR GUARANTEE ON ELECTRICAL COMPONENTS)



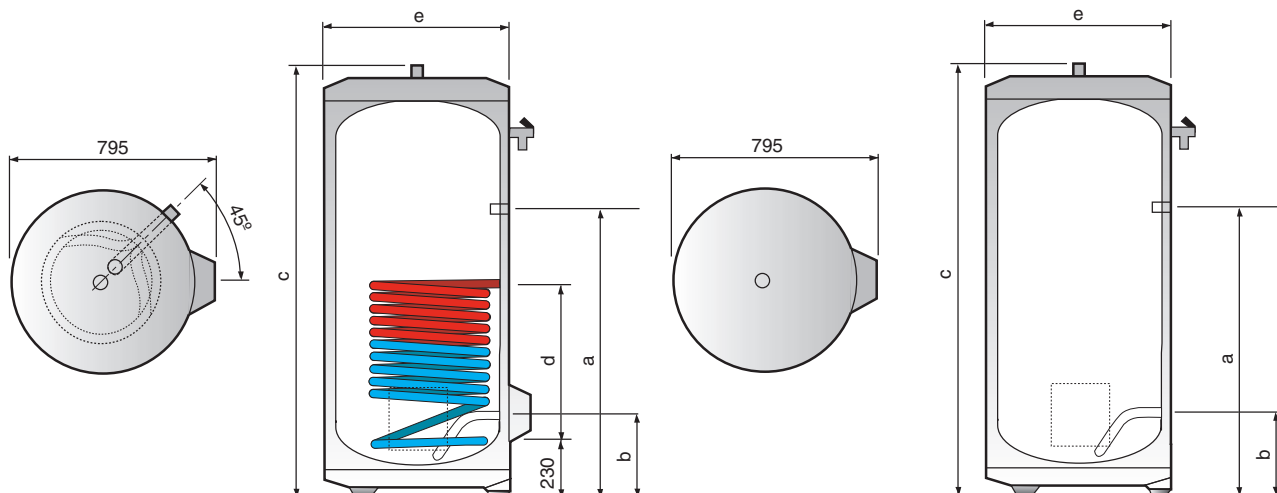
## Technical data - Overall dimensions

		HIGH CAPACITY 500 STI	HIGH CAPACITY 500 STD			HIGH CAPACITY 500 STI	HIGH CAPACITY 500 STD
Nominal capacity	l	495	495	a mm		1390	1390
Weight empty	kg	149	130	b mm		335	335
Weight full	kg	641	625	c mm		1870	1870
Indirect coil rating	kW	31.8	N/A	d mm		700	N/A
Coil surface area	m <sup>2</sup>	1.50	N/A	e mm		714	714
Indirect reheat time* (ΔT=50°C)	min.	54	N/A				
Voltage	V	240/415	240/415				
Power	kW	6	6				
Immersion reheat time * (ΔT=50°C)	min.	290	290				
Max. temperature.		70	70				
Typical application**		H/I	H/I				

\* Primary circuit 80°C, 1m<sup>3</sup>/h circulation

\*\*Typical application

- H: above average household use
- I: light commercial use



# WALL-HUNG

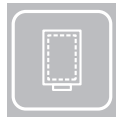
DIRECT: ST 50, 80, 100

WALL-HUNG UNVENTED CYLINDERS

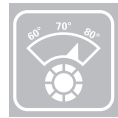
**10** FREE  
10 year  
guarantee



SLIM



ENAMELLED  
STEEL TANK



TEMPERATURE  
REGULATION



ENVIRONMENTALLY  
FRIENDLY  
INSULATION

- QUALITY STEEL TANK, 12 BAR PRESSURE TESTED AND EXCLUSIVE VITREOUS ENAMEL COATING
- ENVIRONMENTALLY SOUND AND HIGHLY EFFICIENT THERMAL INSULATION
- PROTECH ANTI-CORROSION SYSTEM
- INTERNAL REGULATION THERMOSTAT
- FACTORY FITTED 1/2" T&P RELIEF VALVE
- DUAL POLE THERMAL CUT-OUTS

- UNVENTED CONTROL KIT SUPPLIED WITH CYLINDER
- SPACE SAVING WALL FIXING
- SIMPLE INSTALLATION
- 10 YEAR TANK GUARANTEE (2 YEAR GUARANTEE ON ELECTRICAL COMPONENTS)

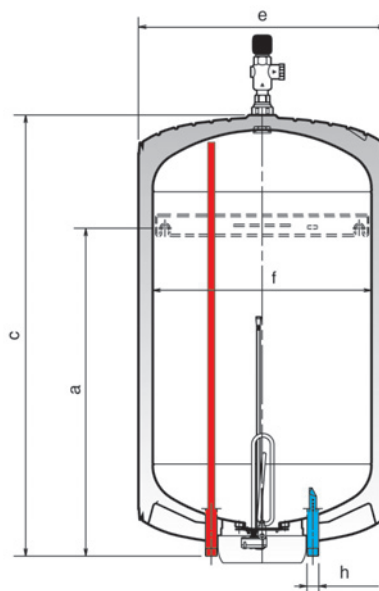
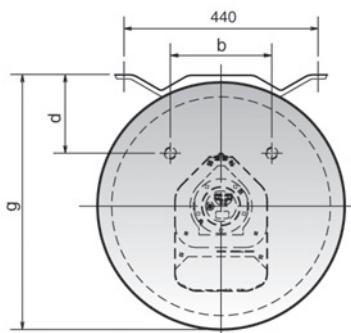


## Technical data - Overall dimensions

		WALL-HUNG ST 50	WALL-HUNG ST 80	WALL-HUNG ST 100		ST 50	ST 80	ST 100
Nominal capacity	l	50	75	100	a mm	410	560	530
Weight empty	kg	27	40	41	b mm	160	230	230
Weight full	kg	77	115	141	c mm	630	790	750
Voltage	V	240	240	240	d mm	120	175	175
Power	kW	3	3	3	e mm	460	460	560
Reheat time ( $\Delta T=50^{\circ}\text{C}$ )	min.	60	90	120	f mm	412	412	500
Max. Working Temp.	$^{\circ}\text{C}$	70	70	70	g mm	475	475	575
Typical application*		A/B	B	C	h mm	1/2"	3/4"	3/4"

### \*\*Typical application

- A: domestic usage <4/5 basins/2 sinks
- B: domestic usage <2 people (kitchen, shower)
- C: domestic usage <2 people (kitchen, bathrooms)



# CLAS HE R, CLAS HE & GENUS HE SYSTEM

CLAS HE R 12, 18 & 24  
 CLAS HE 18, 24 & 30  
 GENUS HE 24 & 30

WALL-HUNG HIGH EFFICIENCY  
 GAS REGULAR & SYSTEM BOILERS

**2** FREE  
 2 year  
 guarantee



COMPACT DIMENSIONS



QUIET OPERATION



AUTO

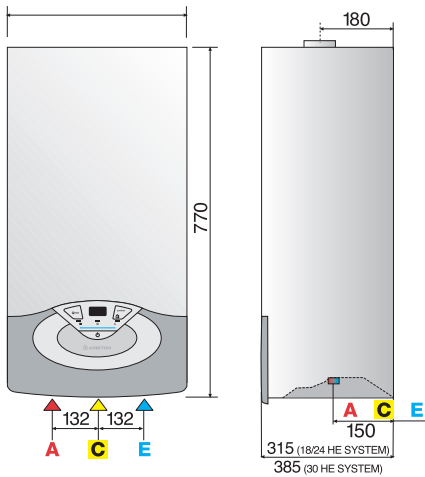


SAVING

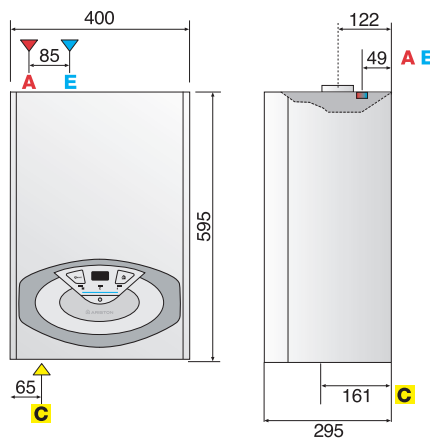
- SEDBUK BAND A
- AVAILABLE IN SEVERAL OUTPUTS
- COMPREHENSIVE RANGE OF CONTROLS
- UNIQUE 'AUTO' FUNCTION OPTIMISES EFFICIENCY OF BOILER AND SYSTEM
- AUTO-DIAGNOSTIC SYSTEM
- SIMPLE MAINTENANCE WITH ACCESS FROM THE FRONT OF THE APPLIANCE

- ANTI-FROST DEVICE
- BUILT-IN AUTOMATIC BY-PASS (SYSTEM)
- BUILT-IN SEVEN DAY DIGITAL TIME CLOCK (GENUS HE SYSTEM)
- INCLUDES CONNECTION KIT AND FILLING LOOP (SYSTEM)
- CLIP-ON CONNECTION KIT COVER AS STANDARD (SYSTEM)

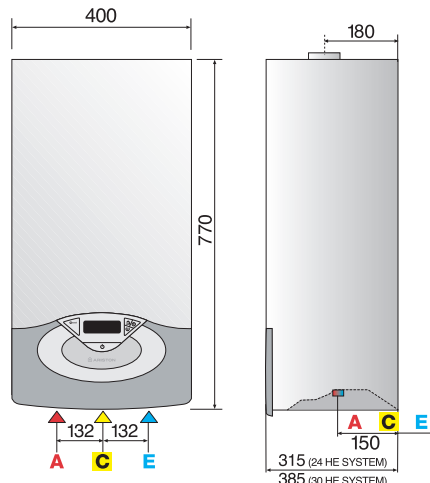
CLAS HE SYSTEM



CLAS HE R



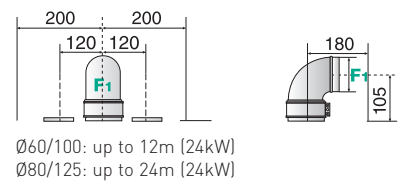
GENUS HE SYSTEM



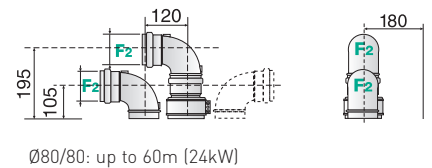
LEGEND

- A: Central heating flow 22mm compression
- C: Gas inlet 15mm compression
- E: Central heating return 22mm compression
- F: Flue (Ø mm)
- F1: 60/100 - 80/125
- F2: 80

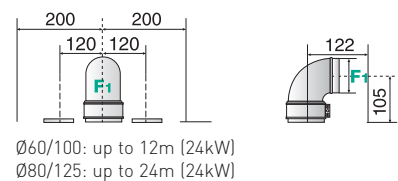
Coaxial exhaust - CLAS HE, GENUS HE



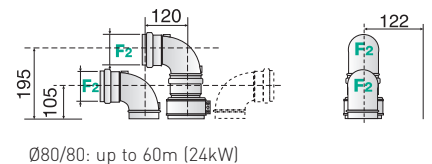
Twin pipe exhaust - CLAS HE, GENUS HE



Coaxial exhaust - CLAS HE R



Twin pipe exhaust - CLAS HE R



## ARISTON THERMO GROUP

Ariston Thermo UK Ltd  
Ariston Building  
Hughenden Avenue  
High Wycombe  
Bucks HP13 5FT  
Telephone 01494 755600  
Fax 01494 459775

Technical Advice & Customer Service  
Fax 01494 463066  
techhelpdesk.uk@aristonthermo.com  
info.uk@aristonthermo.com

[www.ariston.co.uk](http://www.ariston.co.uk)

Professional Team Limited  
Plaza 256  
Blanchardstown Corporate Park 2  
Ballycoolin  
Dublin 15  
Telephone 01 899 1500  
Fax 01 899 1501

Technical Advice & Customer Service  
Fax 01 899 1501  
techhelpdesk.ie@aristonthermo.com  
info.ie@aristonthermo.com

[www.aristonthermo.ie](http://www.aristonthermo.ie)

